



# MAPLE TOP WORKTABLES

OPEN BASE

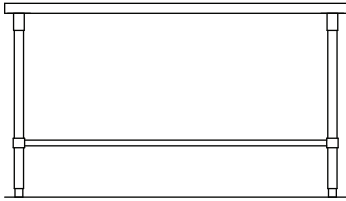


Item #:

Qty #:

Model #:

Project #:



## MAPLE TABLE FEATURES:

1 1/2" thick hard maple top

Choose from 24" and 30" widths

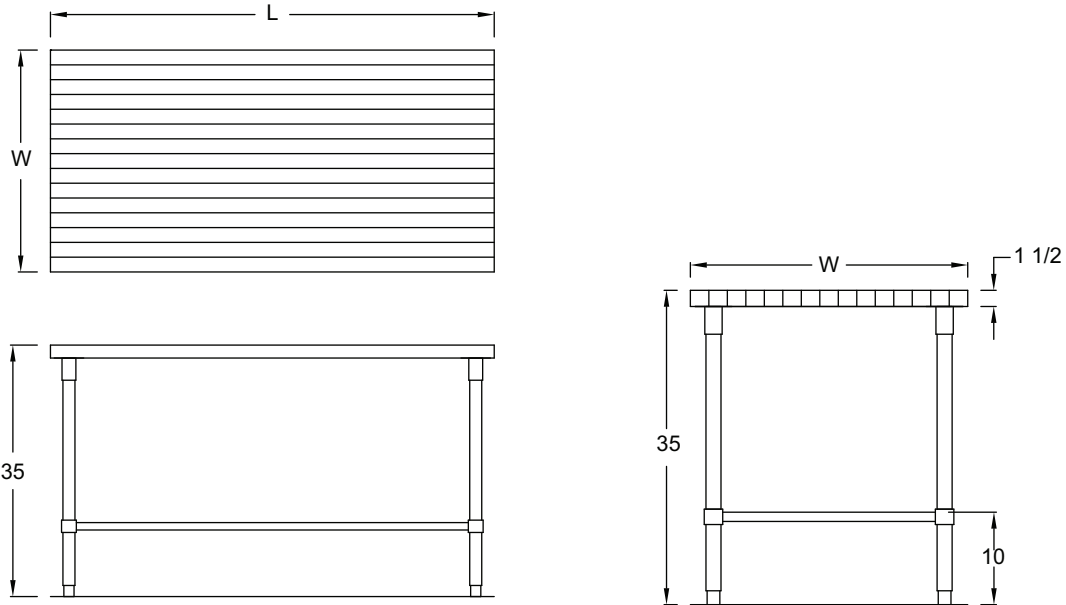
Stainless steel or galvanized open base

Adjustable bullet feet

Shipped knock-down for reduced shipping cost

| WIDTH | LENGTH | MODEL         | WT. | MODEL         | WT. |
|-------|--------|---------------|-----|---------------|-----|
| 24"   | 3 FT   | RJ-MT-TOS-243 | 60  | RJ-MT-TOG-243 | 60  |
|       | 4 FT   | RJ-MT-TOS-244 | 80  | RJ-MT-TOG-244 | 80  |
|       | 5 FT   | RJ-MT-TOS-245 | 100 | RJ-MT-TOG-245 | 100 |
|       | 6 FT   | RJ-MT-TOS-246 | 120 | RJ-MT-TOG-246 | 120 |
|       | 8 FT   | RJ-MT-TOS-248 | 160 | RJ-MT-TOG-248 | 160 |
| 30"   | 3 FT   | RJ-MT-TOS-303 | 65  | RJ-MT-TOG-303 | 65  |
|       | 4 FT   | RJ-MT-TOS-304 | 90  | RJ-MT-TOG-304 | 90  |
|       | 5 FT   | RJ-MT-TOS-305 | 115 | RJ-MT-TOG-305 | 115 |
|       | 6 FT   | RJ-MT-TOS-306 | 140 | RJ-MT-TOG-306 | 140 |
|       | 8 FT   | RJ-MT-TOS-308 | 190 | RJ-MT-TOG-308 | 190 |

# DIMENSIONS & SPECIFICATIONS



DIMENSIONS ARE TYPICAL (TOL. +/- 1/2")

| MODEL         | L  | W  | MODEL         | L  | W  |
|---------------|----|----|---------------|----|----|
| RJ-MT-TOS-243 | 3' | 24 | RJ-MT-TOG-243 | 3' | 24 |
| RJ-MT-TOS-244 | 4' | 24 | RJ-MT-TOG-244 | 4' | 24 |
| RJ-MT-TOS-245 | 5' | 24 | RJ-MT-TOG-245 | 5' | 24 |
| RJ-MT-TOS-246 | 6' | 24 | RJ-MT-TOG-246 | 6' | 24 |
| RJ-MT-TOS-248 | 8' | 24 | RJ-MT-TOG-248 | 8' | 24 |
| RJ-MT-TOS-303 | 3' | 30 | RJ-MT-TOG-303 | 3' | 30 |
| RJ-MT-TOS-304 | 4' | 30 | RJ-MT-TOG-304 | 4' | 30 |
| RJ-MT-TOS-305 | 5' | 30 | RJ-MT-TOG-305 | 5' | 30 |
| RJ-MT-TOS-306 | 6' | 30 | RJ-MT-TOG-306 | 6' | 30 |
| RJ-MT-TOS-308 | 8' | 30 | RJ-MT-TOG-308 | 8' | 30 |

\* All tables 84" or longer come standard with 6 legs.



RJ Fabricators reserves the right to progressively alter our product specifications to maintain our premium quality.



# MAPLE TOP WORKTABLES

BOTTOM SHELF

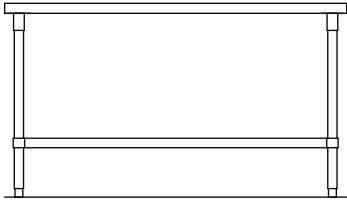


Item #:

Qty #:

Model #:

Project #:



## MAPLE TABLE FEATURES:

1 1/2" thick hard maple top

Choose from 24" and 30" widths

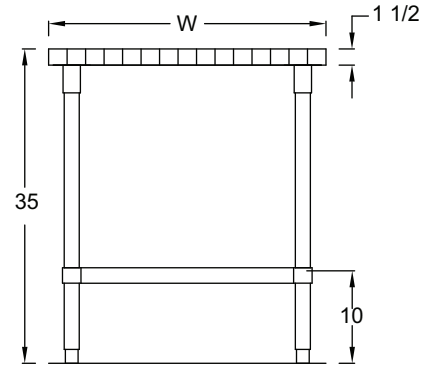
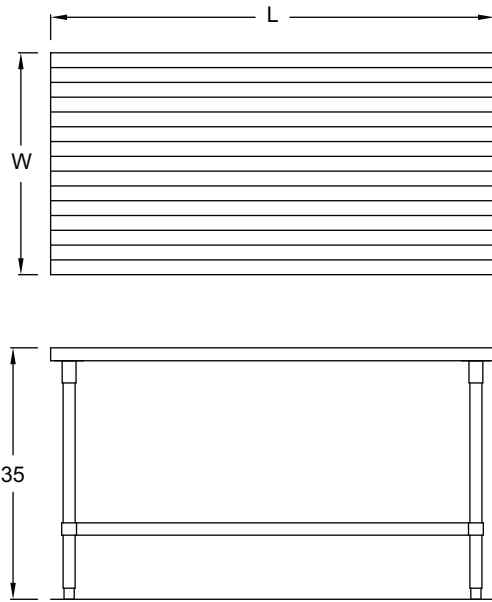
18 gauge stainless steel or galvanized bottom shelf

Adjustable bullet feet

Shipped knock-down for reduced shipping cost

| WIDTH | LENGTH | MODEL         | WT. | MODEL         | WT. |
|-------|--------|---------------|-----|---------------|-----|
| 24"   | 3 FT   | RJ-MT-TUS-243 | 60  | RJ-MT-TUG-243 | 60  |
|       | 4 FT   | RJ-MT-TUS-244 | 80  | RJ-MT-TUG-244 | 80  |
|       | 5 FT   | RJ-MT-TUS-245 | 100 | RJ-MT-TUG-245 | 100 |
|       | 6 FT   | RJ-MT-TUS-246 | 120 | RJ-MT-TUG-246 | 120 |
|       | 8 FT   | RJ-MT-TUS-248 | 160 | RJ-MT-TUG-248 | 160 |
| 30"   | 3 FT   | RJ-MT-TUS-303 | 75  | RJ-MT-TUG-303 | 75  |
|       | 4 FT   | RJ-MT-TUS-304 | 100 | RJ-MT-TUG-304 | 100 |
|       | 5 FT   | RJ-MT-TUS-305 | 125 | RJ-MT-TUG-305 | 125 |
|       | 6 FT   | RJ-MT-TUS-306 | 150 | RJ-MT-TUG-306 | 150 |
|       | 8 FT   | RJ-MT-TUS-308 | 200 | RJ-MT-TUG-308 | 200 |

# DIMENSIONS & SPECIFICATIONS



DIMENSIONS ARE TYPICAL (TOL. +/- 1/2")

| MODEL         | L  | W  | MODEL         | L  | W  |
|---------------|----|----|---------------|----|----|
| RJ-MT-TUS-243 | 3' | 24 | RJ-MT-TUG-243 | 3' | 24 |
| RJ-MT-TUS-244 | 4' | 24 | RJ-MT-TUG-244 | 4' | 24 |
| RJ-MT-TUS-245 | 5' | 24 | RJ-MT-TUG-245 | 5' | 24 |
| RJ-MT-TUS-246 | 6' | 24 | RJ-MT-TUG-246 | 6' | 24 |
| RJ-MT-TUS-248 | 8' | 24 | RJ-MT-TUG-248 | 8' | 24 |
| RJ-MT-TUS-303 | 3' | 30 | RJ-MT-TUG-303 | 3' | 30 |
| RJ-MT-TUS-304 | 4' | 30 | RJ-MT-TUG-304 | 4' | 30 |
| RJ-MT-TUS-305 | 5' | 30 | RJ-MT-TUG-305 | 5' | 30 |
| RJ-MT-TUS-306 | 6' | 30 | RJ-MT-TUG-306 | 6' | 30 |
| RJ-MT-TUS-307 | 8' | 30 | RJ-MT-TUG-308 | 8' | 30 |

\* All tables 84" or longer come standard with 6 legs.



RJ Fabricators reserves the right to progressively alter our product specifications to maintain our premium quality.